



SOUNDWELL®

http://soundwell-cn.com

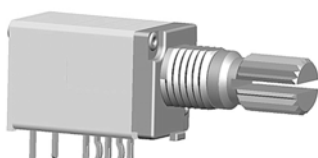
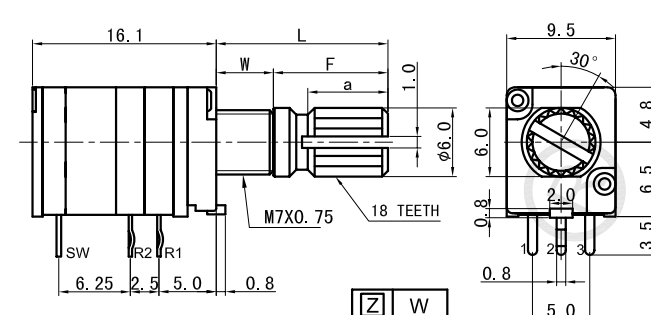
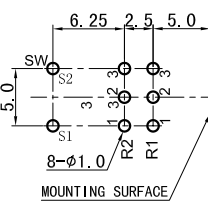
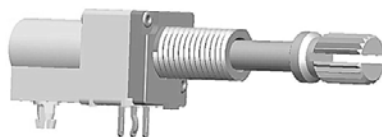
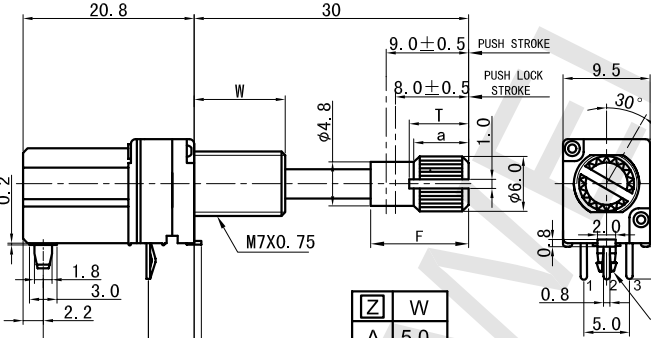
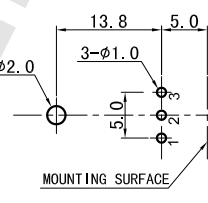
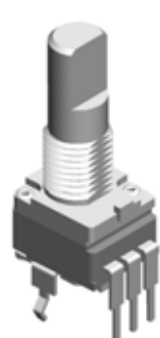
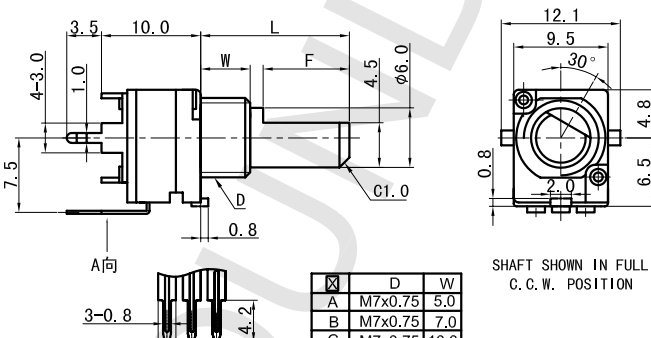
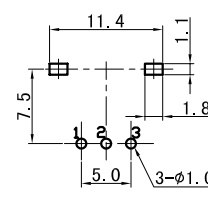
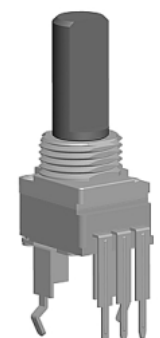
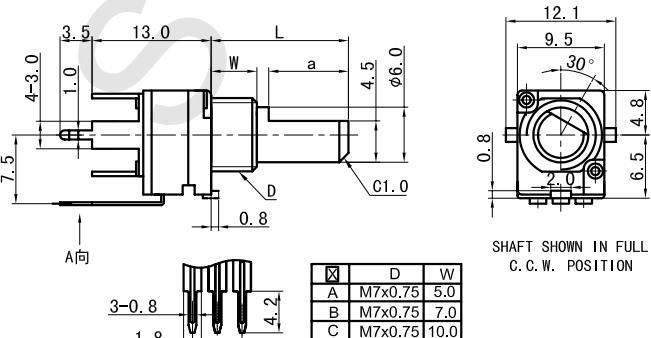
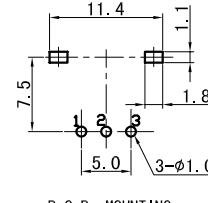
RA09 Series POTENTIOMETER



企业微信，扫码有惊喜



升威官网，发现更多产品

MODEL 品名	DIMENSIONS 尺寸	UNIT:mm																					
<p>RA0905S <input checked="" type="checkbox"/> <input checked="" type="checkbox"/> 0X-VA1</p> 	 <table border="1" data-bbox="622 716 782 784"> <tr><td><input checked="" type="checkbox"/></td><td>G</td><td>F</td></tr> <tr><td></td><td>2联</td><td>4联</td></tr> </table> <table border="1" data-bbox="893 649 1005 784"> <tr><td><input checked="" type="checkbox"/></td><td>W</td></tr> <tr><td>A</td><td>5.0</td></tr> <tr><td>B</td><td>7.0</td></tr> <tr><td>C</td><td>10.0</td></tr> </table> <p>SHAFT SHOWN IN FULL C. C. W. POSITION</p>	<input checked="" type="checkbox"/>	G	F		2联	4联	<input checked="" type="checkbox"/>	W	A	5.0	B	7.0	C	10.0	 <p>P. C. B. MOUNTING HOLES DETAIL</p>							
<input checked="" type="checkbox"/>	G	F																					
	2联	4联																					
<input checked="" type="checkbox"/>	W																						
A	5.0																						
B	7.0																						
C	10.0																						
<p>RA0915NO <input checked="" type="checkbox"/> 0X-VA1</p> 	 <table border="1" data-bbox="893 1075 1005 1209"> <tr><td><input checked="" type="checkbox"/></td><td>W</td></tr> <tr><td>A</td><td>5.0</td></tr> <tr><td>B</td><td>7.0</td></tr> <tr><td>C</td><td>10.0</td></tr> </table> <p>SHAFT SHOWN IN FULL C. C. W. POSITION</p>	<input checked="" type="checkbox"/>	W	A	5.0	B	7.0	C	10.0	 <p>P. C. B. MOUNTING HOLES DETAIL</p> <p>②处详视图 SCALE 2:1</p>													
<input checked="" type="checkbox"/>	W																						
A	5.0																						
B	7.0																						
C	10.0																						
<p>RA0919NO <input checked="" type="checkbox"/> 0B-HA1</p> 	 <table border="1" data-bbox="861 1500 1021 1657"> <tr><td><input checked="" type="checkbox"/></td><td>D</td><td>W</td></tr> <tr><td>A</td><td>M7x0.75</td><td>5.0</td></tr> <tr><td>B</td><td>M7x0.75</td><td>7.0</td></tr> <tr><td>C</td><td>M7x0.75</td><td>10.0</td></tr> <tr><td>D</td><td>M9x0.75</td><td>5.0</td></tr> <tr><td>E</td><td>M9x0.75</td><td>4.0</td></tr> <tr><td>M</td><td>M9x0.75</td><td>7.0</td></tr> </table> <p>SHAFT SHOWN IN FULL C. C. W. POSITION</p>	<input checked="" type="checkbox"/>	D	W	A	M7x0.75	5.0	B	M7x0.75	7.0	C	M7x0.75	10.0	D	M9x0.75	5.0	E	M9x0.75	4.0	M	M9x0.75	7.0	 <p>P. C. B. MOUNTING HOLES DETAIL</p>
<input checked="" type="checkbox"/>	D	W																					
A	M7x0.75	5.0																					
B	M7x0.75	7.0																					
C	M7x0.75	10.0																					
D	M9x0.75	5.0																					
E	M9x0.75	4.0																					
M	M9x0.75	7.0																					
<p>RA0919NO <input checked="" type="checkbox"/> 0B-HA2</p> 	 <table border="1" data-bbox="861 1948 1021 2105"> <tr><td><input checked="" type="checkbox"/></td><td>D</td><td>W</td></tr> <tr><td>A</td><td>M7x0.75</td><td>5.0</td></tr> <tr><td>B</td><td>M7x0.75</td><td>7.0</td></tr> <tr><td>C</td><td>M7x0.75</td><td>10.0</td></tr> <tr><td>D</td><td>M9x0.75</td><td>5.0</td></tr> <tr><td>E</td><td>M9x0.75</td><td>4.0</td></tr> <tr><td>M</td><td>M9x0.75</td><td>7.0</td></tr> </table> <p>SHAFT SHOWN IN FULL C. C. W. POSITION</p>	<input checked="" type="checkbox"/>	D	W	A	M7x0.75	5.0	B	M7x0.75	7.0	C	M7x0.75	10.0	D	M9x0.75	5.0	E	M9x0.75	4.0	M	M9x0.75	7.0	 <p>P. C. B. MOUNTING HOLES DETAIL</p>
<input checked="" type="checkbox"/>	D	W																					
A	M7x0.75	5.0																					
B	M7x0.75	7.0																					
C	M7x0.75	10.0																					
D	M9x0.75	5.0																					
E	M9x0.75	4.0																					
M	M9x0.75	7.0																					